

Model: A-662
Meter Twister Seal

Wire security meter seals twist with plastic coated wire

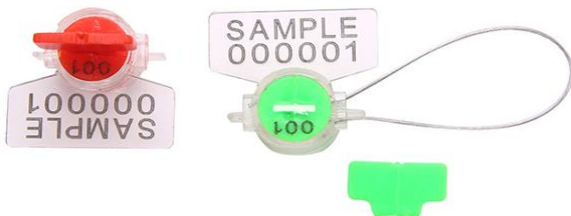
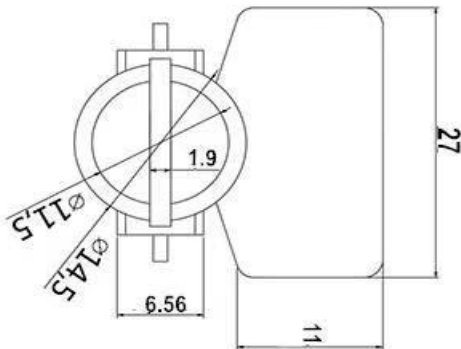
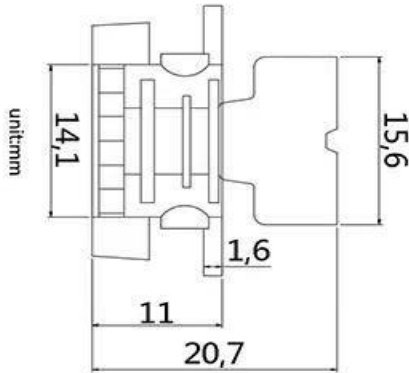
Available as...

STANDARD ITEM FROM STOCK:

Pre-Printed / Pre-Numbered

CUSTOM ORDERED ITEM

Printed, Numbered, All Colors, Bar/QR Code



DESCRIPTION:

Today wire seals have multiple applications. Twist seal security seals with plastic coated wire is made with strong plastic and wire seals that offers a safe alternative to lead seals, the very first of the sealing systems. And it can be used to prevent leakage between two rotating shafts.

PRODUCT SIZE:

Body size: 14mm diameter and 27mm width

Wire size: can be flexible by customer's requirement

Wire dia: 0.68mm

MATERIAL: PC Plastic & ABS Plastic

PRINTING: Laser printing

Customer's company name logo, Sequential numbers

COLOR: Red/Orange/Yellow/ Green/ Blue/White
Customized color

PACKING: 5000pcs/Carton

CARTON DIMENSION: 55 x 36 x 30cm

G.W. PER CARTON: 12.0kg

APPLICATION: Utility Meters, transport, gas & fuel meters, Cabinets, Etc.

ADVANTAGES:

- Clearly expose any tampering attempt
- Different colours for coding and easy identification
- It can be used in electricity meters, taximeter, oil industry and so on.



Asialock Seal

Shanghai Asialock Security Seals Co., Ltd
Manufacture & Trading Combo

www.asialockseal.com

E-mail: info@asialockseal.com

Room 1425, No.2025 West Zhongshan Road, Xuhui District, 200235, Shanghai, China